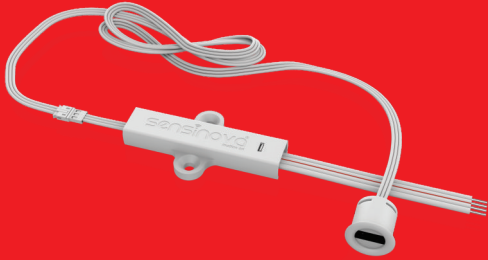


TECHNICAL DATA SHEET



NEO E15

(Wardrobe Sensors - DC)

Features :

1. Two Operating Modes - Use it as Door Sensor or Wave Switch.
2. Soft/smoothON and OFF
3. Auto OFF/Energy Saving in case of door open for 3Minutes - Door Sense Mode
4. Dimming Option - for Wave Switch Mode
5. Memory Function - for Wave Switch Mode
6. Reverse Polarity Protection
7. Increased Sensing Length - for Door Sense Mode

The NEO E15 Wardrobe Sensor offers innovative convenience and energy efficiency for wardrobe and cabinet lighting. With two modes - Door Sense and Wave Switch - it activates lighting without physical contact, detecting door movements or gestures. It is an ideal addition to modern homes, enhancing the functionality of wardrobes, kitchen cabinets, and other storage areas.

TECHNICAL SPECIFICATION

Input Power Supply	12V/24V DC
Maximum Current Rating	6A
Maximum Switching capacity	144W @24V DC 72W @12V DC
Sensor cable length	100 cm
Operating Modes	Door sense mode Wave switch mode
Sensing Distance	12-17cm*(Note-1) in Door sense mode 4-6cm* (Note-1) in wave switch mode

Note 1: The sensing distance may vary in the specified range based on the reflective nature of the surface in front of the sensor. It is recommended to use the round reflector sticker given along with the sensor to get the optimum range.

Note 2: Default mode when you open the box will be door sense mode.

INSTALLATION

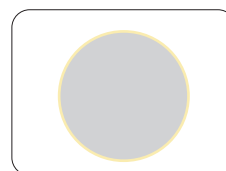
DUAL MODE NEO E15



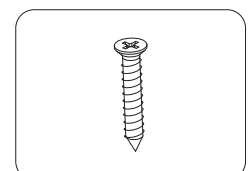
DOOR SENSE
MODE



WAVE SWITCH
MODE



(Silver Sticker)



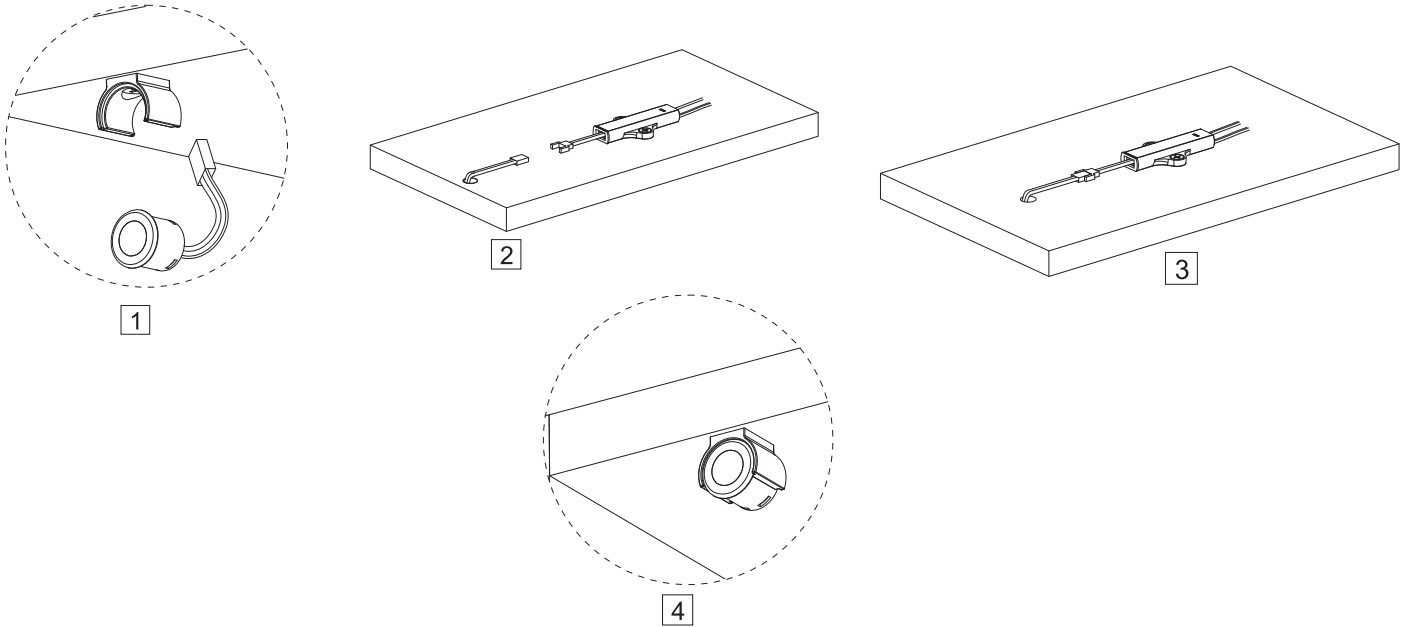
(Screw)

Stick the Silver Sticker in front of
NEO Sensor for Maximum
Efficiency

INSTALLATION METHOD

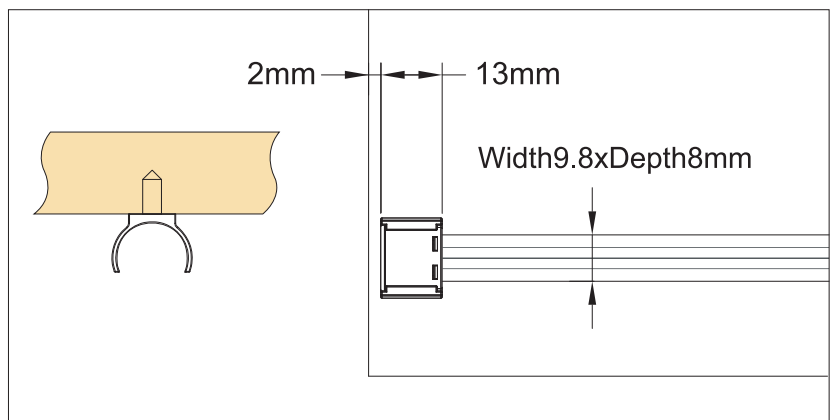
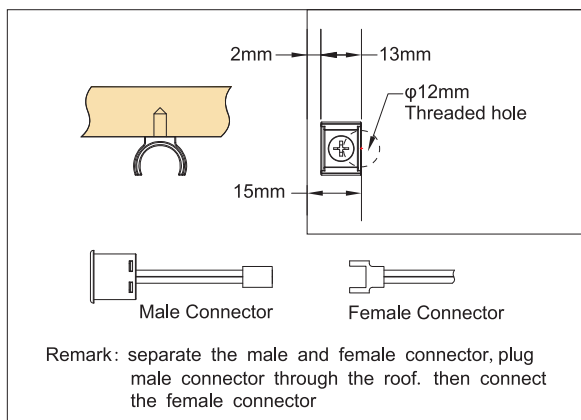
For the first method of installation:

- 1) Attach the clip as indicated in diagram (1).
- 2) Drill a threaded hole with a diameter of 12mm.
- 3) Pass the male connector through the hole from above the roof as shown in diagram (2).
- 4) Connect the female connector to the male connector as shown in diagram (3).
- 5) Secure the Neo sensor to the clip as shown in diagram (4).
- 6) Attach the Neo controller to the roof.



For the Second method of installation:

1. Open the cable channel on the roof board as shown in the picture.
2. Secure the appropriate length of cable channel base.
3. Thread the sensor switch cords through the back board's threaded hole.
4. Fix the Neo sensor in place.
5. Install the cover board for the cable channels



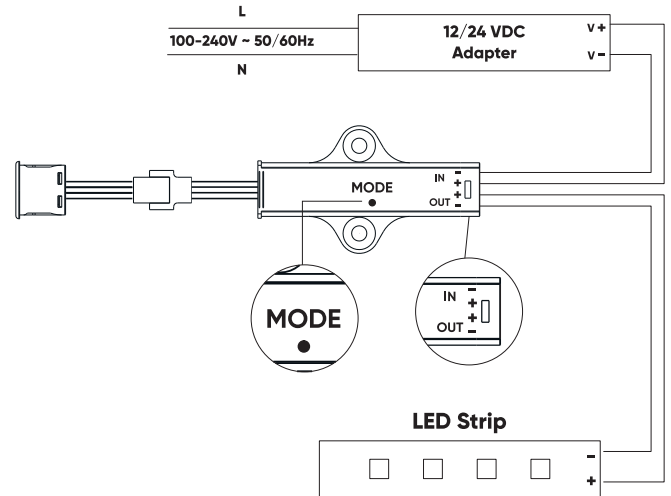
CONNECTION INSTRUCTION

1. OUT

- Connect your LED +VE to OUT "+" marking wire
- Connect your LED -VE to OUT "-" marking wire

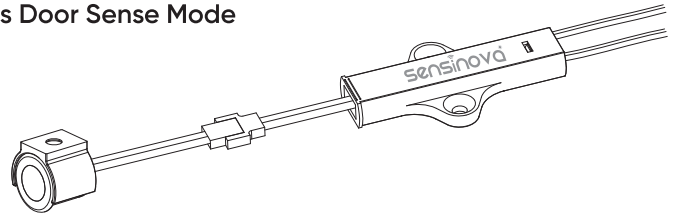
2. IN

- Connect your SMPS/Adapter +VE to IN "+" marking wire
- Connect your SMPS/Adapter -VE to IN "-" marking wire



FEATURES

- Two Operating Modes - Use it as Door Sensor or Wave Switch.
- Soft/smooth ON and OFF
- Auto OFF/Energy Saving in case of door open for 3 Minutes Door Sense Mode
- Dimming Option - for Wave Switch Mode
- Memory Function - for Wave Switch Mode
- Reverse Polarity Protection
- Increased Sensing Length - for Door Sense Mode



DETAIL INFORMATION OF FEATURES

1. Two operating Modes:-

There are two operating modes which are Door sense mode and Wave switch mode. Door sense mode is used for wardrobes and wave switch mode is used for general switching purpose. Pls check separate section for process to switch the modes.

2. Soft ON/OFF:-

There is Soft/smooth LED ON/OFF in both the modes which is visually appealing and more comfortable for the eyes which creates soothing atmosphere which is more preferred in ambient lighting, mood lighting and interior lighting.

3. Auto OFF/Energy Saving:-

In case of door sense mode, this feature saves the energy by automatically switching off the light after 3 minutes in case someone forgets to close the door. Light can be again turned on by closing the door once and opening it again.

4. Dimming Option - For Wave Switch Mode:-

This feature will allow user to adjust the brightness of light from 0% - 100%. This feature is mainly incorporated to create different moods and to save energy.

5. Memory Function – For Wave Switch Mode:-

This model features built-in memory, allowing it to resume operation from its previous state in the event of a power outage. For example, if the model is in wave Switch mode and set to half brightness when the power is restored, it will resume at the same half brightness level. In other case if product is in Door Sense mode, it would be in the same mode once the power is restored.

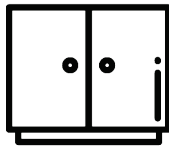
6. Reverse Polarity Protection:-

This feature would protect the product and load against accidental wrong connection.

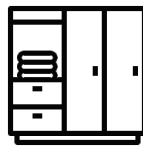
7. Increased Sensing Length – For Door Sense Mode:-

This model has best in class sensing length of 12-17cm in Door Sense Mode. This gives the user more flexibility in installation

APPLICATIONS



Cabinet



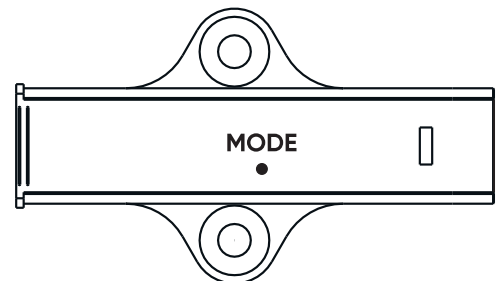
Wardrobe



Kitchen

HOW TO CHANGE THE MODEL

Press and hold the mode switch (marked as 'MODE') for 5 seconds. The LED light you connected will blink twice to indicate that the mode has changed.



HOW TO CHANGE DIMMING LEVEL - FOR WAVE SWITCH MODE

In wave switch mode, user need to keep the hand in front of sensor to vary the brightness from highest (100%) to lowest (10%) and off/reset (0%). Brightness can be set to full (100%) again by waving the hand after the brightness has been adjusted to 0% (off)