

TECHNICAL DATA SHEET



IRIS F8
(PIR Motion Sensor)



IP20

8m

360°

The product adopts good sensitivity detector and integrated circuit. It gathers automatism, convenience, safety, saving-energy and practical functions. It utilizes the infrared energy from human as control-signal source and it can start the load at once when one enters detection field. It can identify day and night automatically. It is easy to install and used widely.

TECHNICAL SPECIFICATION

Power Source:	220-240 V/AC
Power Frequency:	50/60Hz
Detection Range	360°
Detection Distance:	8m max (<24°C)
Working Temperature:	-20~+40°C
Working Humidity:	<93%RH
Power Consumption:	approx 0.5W
Installation Height:	1.8-4m
Detection Moving Speed:	0.6-1.5m/s
Ambient Light:	<3-2000LUX (adjustable)
Time Delay:	Min. 10sec + 3sec Max. 30min + 2min
Rated Load:	1200W  600W 

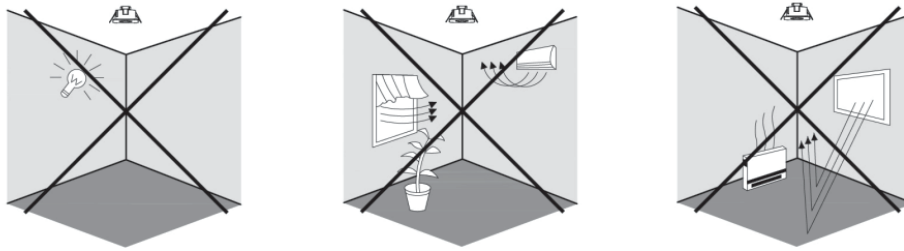
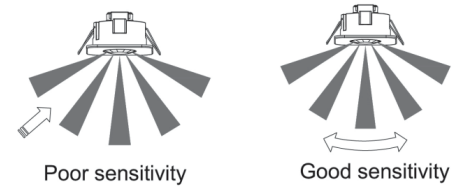
FUNCTION

- Can identify day and night: The consumer can adjust working state in different ambient light. it can work in the daytime and at night when it is adjusted on the "sun" position (max). It can work in the ambient light less than 3LUX when it is adjusted on the "3" position (min). As for the adjustment pattern, please refer to the testing pattern.
- Time-Delay is added continually: When it receives the second induction signals within the first induction, it will restart to time from the moment.

INSTALLATION ADVICE

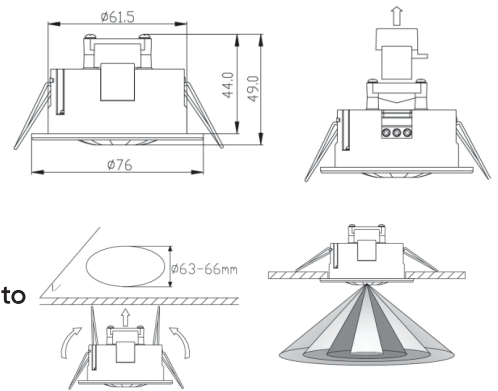
As the detector responds to changes in temperature, avoid the following situations:

- Avoid pointing the detector towards objects with highly reflective surfaces, like mirrors etc.
- Avoid mounting the detector near heat sources as heating vents, air conditioner, light etc.
- Avoid pointing the detector towards objects that may move in the wind, such as curtains, tall plants etc.

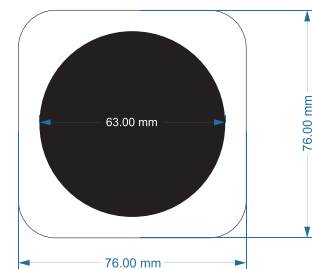


INSTALLATION

- Switch off the power.
 - Unload the transparent cover.
 - Connect the power to connection terminal of sensor according to connection-wire diagram.
 - Install back the transparent cover into the original location.
 - Fold the metal spring of the sensor upwards and then put the sensor into the suitable hole or installation box.
- Releasing the spring, the sensor will be set in this installation position.
- After finishing installing, turn on the power and then test it.



PRODUCT CUT-OUT DIAGRAM

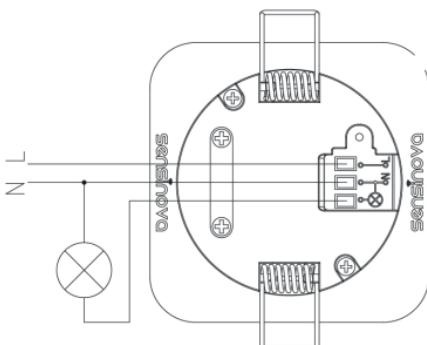


WARNING

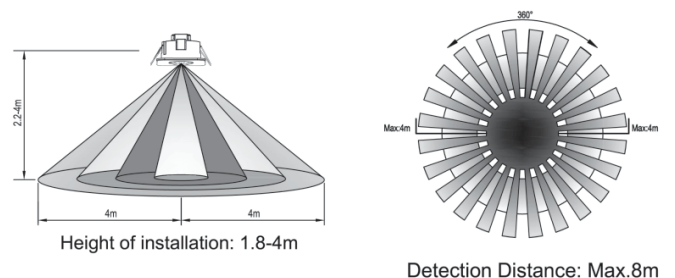
Warning. Danger of death through electric shock!

- Must be installed by professional electrician.
- Ensure device cannot be switched on.
- Disconnect power source.
- Check power supply is disconnected.
- Cover or shield any adjacent live components.

CONNECTION WIRE DIAGRAM

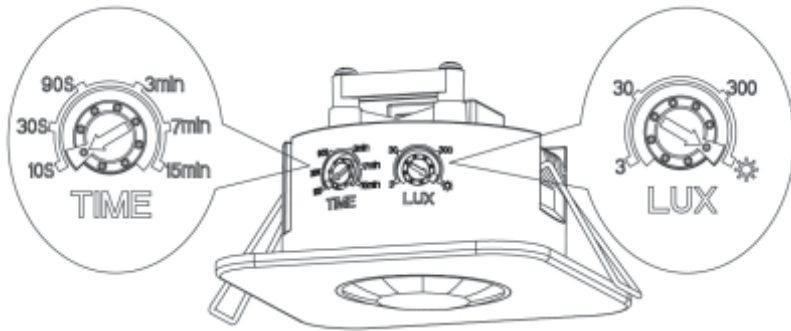


SENSOR INFORMATION



TEST

- Turn the TIME knob anti-clockwise on the minimum (10s). Turn the LUX knob clockwise on the maximum (sun).
- Switch on the power; the sensor and its connected lamp will have no signal at the beginning. After Warm-up 30sec, the sensor starts work. If the sensor receives the induction signal, the lamp will turn on. While there is no other induction signal any more, the load should stop working within 10sec+ 3sec and the lamp would turn off.
- Turn LUX knob anti-clockwise on the minimum (3). If the ambient light is more than 3LUX, the sensor would not work and the lamp stop working too. If the ambient light is less than LUX (darkness), the sensor would work. Under no induction signal condition, the sensor should stop working within 10sec+3sec.



Note: when testing in daylight, please turn LUX knob to (SUN) position, otherwise the sensor lamp could not work!

SOME PROBLEM AND SOLVED WAY

- The load does not work:
 - a. Please check if the connection of power source and load is correct.
 - b. Please check if the load is good.
 - c. Please check if the settings of working light correspond to ambient light.
- The sensitivity is poor:
 - a. Please check if there is any hindrance in front of the detector to affect it to receive the signals.
 - b. Please check if the ambient temperature is too high.
 - c. Please check if the induction signal source is in the detection field.
 - d. Please check if the installation height corresponds to the height required in the instruction.
 - e. Please check if the moving orientation is correct.
- The sensor can not shut off the load automatically:
 - a. Please check if there is continual signal in the detection field.
 - b. Please check if time delay is set to the maximum position.
 - c. Please check if the power corresponds to the instruction.