

# TECHNICAL DATA SHEET



## NOX

(Wardrobe Sensors - AC)

### Features :

1. Two Operating Modes - Use it as Door Sensor or Wave Switch.
2. Auto OFF/Energy Saving in case of door open for 3Minutes in Door Sense Mode
3. Memory Function - for Wave Switch Mode
4. Increased Sensing Length - for Door Sense Mode

The NOX Wardrobe Sensor offers innovative convenience and energy efficiency for wardrobe and cabinet lighting. With two modes - Door Sense and Wave Switch - it activates lighting without physical contact, detecting door movements or gestures. It is an ideal addition to modern homes, enhancing the functionality of wardrobes, kitchen cabinets, and other storage areas.

### TECHNICAL SPECIFICATION

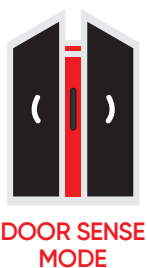
Input Power Supply	220-240V AC
Maximum Current Rating	7A
Maximum Switching capacity	500W LED Load
Sensor cable length	90 cm
Operating Modes	Door sense mode   Wave switch mode
Sensing Distance	12-15cm*(Note-1) in Door sense mode 4-6cm* (Note-1) in wave switch mode

**Note 1:** The sensing distance may vary in the specified range based on the reflective nature of the surface in front of the sensor. It is recommended to use the round reflector sticker given along with the sensor to get the optimum range.

**Note 2:** Default mode when you open the box will be door sense mode.

### INSTALLATION

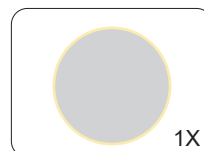
#### DUAL MODE NEO E15



DOOR SENSE  
MODE

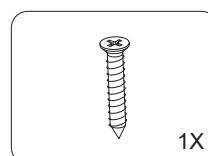


WAVE SWITCH  
MODE

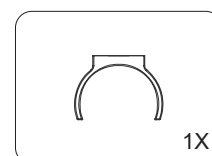


( Silver Sticker )

Stick the Silver Sticker on Door of Wardrobe front of NOX Sensor for Maximum Efficiency



( Screw )

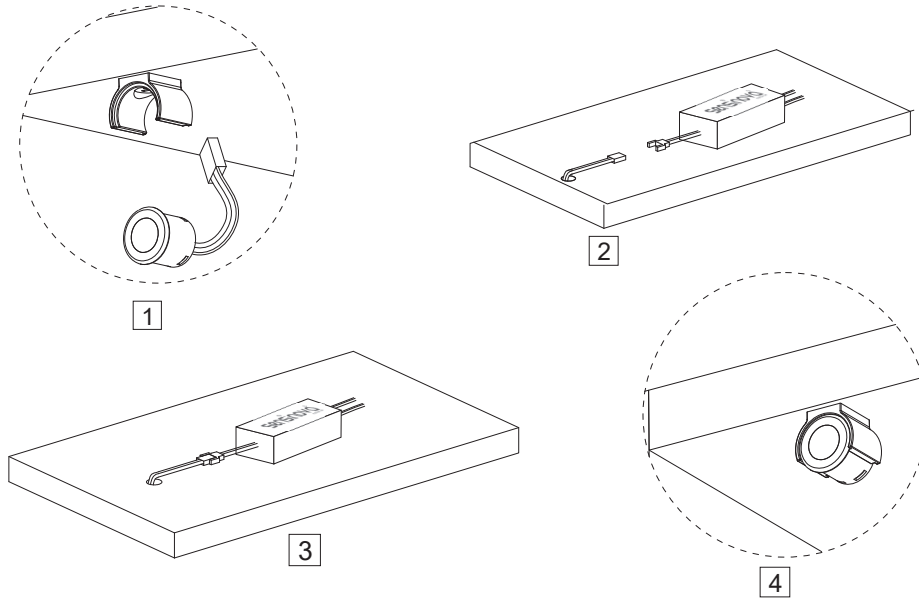


( Clamp )

## INSTALLATION METHOD

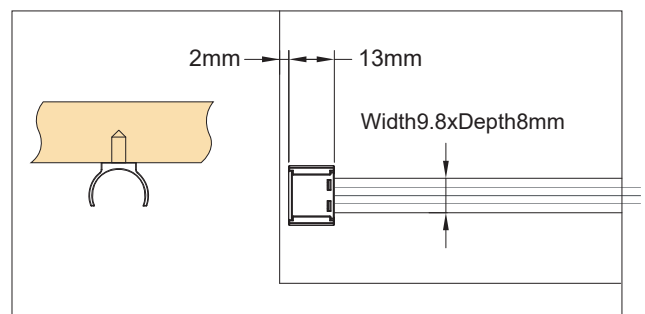
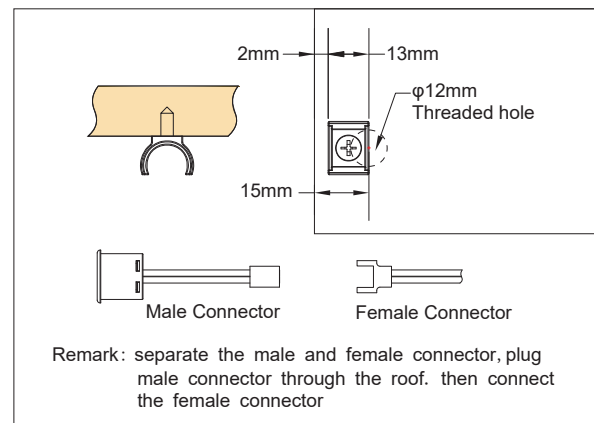
### For the first method of installation:

- 1) Attach the clip as indicated in diagram (1).
- 2) Drill a threaded hole with a diameter of 12mm.
- 3) Pass the male connector through the hole from above the roof as shown in diagram (2).
- 4) Connect the female connector to the male connector as shown in diagram (3).
- 5) Secure the Neo sensor to the clip as shown in diagram (4).
- 6) Attach the Neo controller to the roof.



### For the Second method of installation:

1. Open the cable channel on the roof board as shown in the picture.
2. Secure the appropriate length of cable channel base.
3. Thread the sensor switch cords through the back board's threaded hole.
4. Fix the NOX sensor in place.
5. Install the cover board for the cable channels



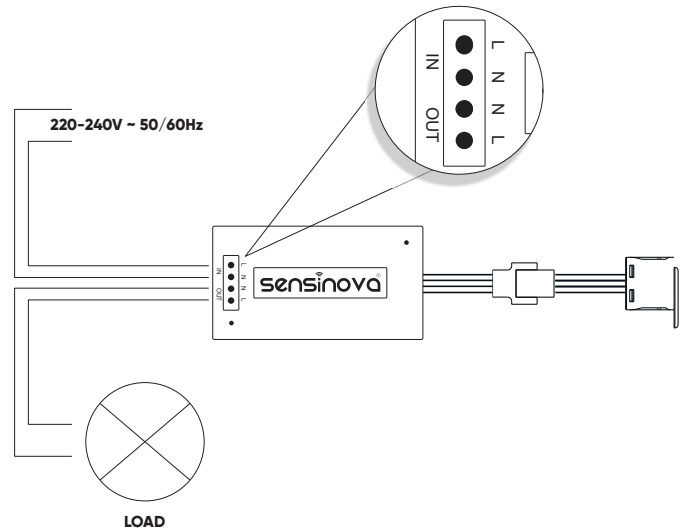
## CONNECTION INSTRUCTION

### 1. OUT

- Connect your LOAD L to OUT "L" marking wire
- Connect your LOAD N to OUT "N" marking wire

### 2. IN

- Connect your Supply L to IN "L" marking wire
- Connect your Supply N to IN "N" marking wire



## FEATURES

- Two Operating Modes - Use it as Door Sensor or Wave Switch.
- Auto OFF/Energy Saving in case of door open for 3Minutes in Door Sense Mode
- Memory Function – for Wave Switch Mode
- Increased Sensing Length for Door Sense Mode



## DETAIL INFORMATION OF FEATURES

### 1. Two operating Modes:-

There are two operating modes which are Door sense mode and Wave switch mode. Door sense mode is used for wardrobes and wave switch mode is used for general switching purpose. Pls check separate section for process to switch the modes.

### 2. Auto OFF/Energy Saving:-

In case of door sense mode, this feature saves the energy by automatically switching off the light after 3 minutes in case someone forgets to close the door. Light can be again turned on by closing the door once and opening it again.

### 3. Memory Function – For Wave Switch Mode:-

This model features built-in memory, allowing it to resume operation from its previous state in the event of a power outage. For example, if the model is in wave Switch mode when the power is restored, it will resume in wave switch mode. In other case if product is in Door Sense mode, it would be in the same mode once the power is restored.

### 4. Increased Sensing Length – For Door Sense Mode:-

This model has best in class sensing length of 12-15cm in Door Sense Mode. This gives the user more flexibility in installation

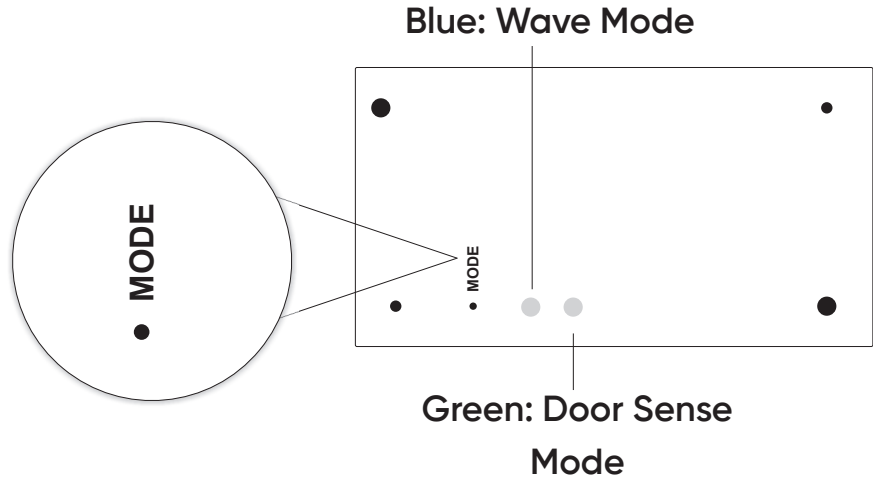
## HOW TO CHANGE THE MODEL

1. Press and Hold: Press and hold the mode switch (marked as "MODE") for 5 seconds.

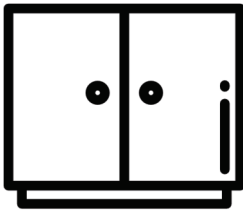
2. LED Indicator: The lights beside the mode switch will light up to indicate the current mode:

Green: Door Sense mode

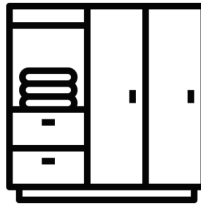
Blue: Wave mode



## APPLICATIONS



Cabinet



Wardrobe



Kitchen



C K Patel Estate, Survey Number 372, Opp  
Tata Motors Service Centre, Near Rama Kaka  
Deri, Chhani, Vadodara – 391740



+91 9586884885



+91 9979764665



info@sensinova.in



www.sensinova.in