

# TECHNICAL DATA SHEET



## NEO D15

(Wardrobe Sensors - DC)

### Features :

1. Two Operating Modes - Use it as Door Sensor or Wave Switch.
2. Soft/smooth ON and OFF
3. Auto OFF/Energy Saving in case of door open for 3Minutes - Door Sense Mode
4. Dimming Option - for Wave Switch Mode
5. Memory Function - for Wave Switch Mode
6. Reverse Polarity Protection
7. Increased Sensing Length - for Door Sense Mode

Sensinova's NEO D15 Wardrobe Sensor combines modern design with innovative functionality, offering dual-mode activation through door movement or hand gestures. This feature ensures an instant, energy-efficient light-up of your storage spaces. Its sleek aesthetics integrate seamlessly into any home decor, providing a practical, stylish solution for enhancing the convenience and accessibility of wardrobes, kitchen cabinets, and other storage areas.

### TECHNICAL SPECIFICATION

Input Power Supply	12V/24V DC
Maximum Current Rating	6A
Maximum Switching capacity	144W @24V DC   72W @12V DC
Sensor cable length	-
Operating Modes	Door sense mode   Wave switch mode
Sensing Distance	12-17cm*(Note-1) in Door sense mode   4-6cm* (Note-1) in wave switch mode

**Note 1:** The sensing distance may vary in the specified range based on the reflective nature of the surface in front of the sensor. It is recommended to use the round reflector sticker given along with the sensor to get the optimum range.

**Note 2:** Default mode when you open the box will be door sense mode.

### DUAL MODE NEO E15

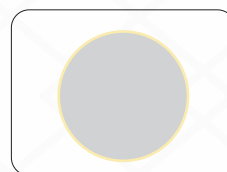


DOOR SENSE  
MODE



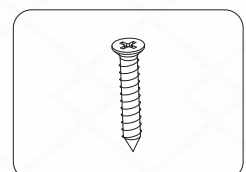
WAVE SWITCH  
MODE

### INSTALLATION



( Silver Sticker )

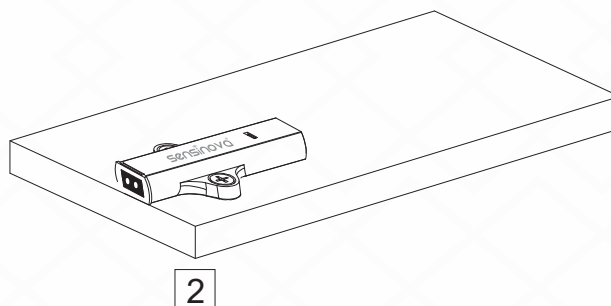
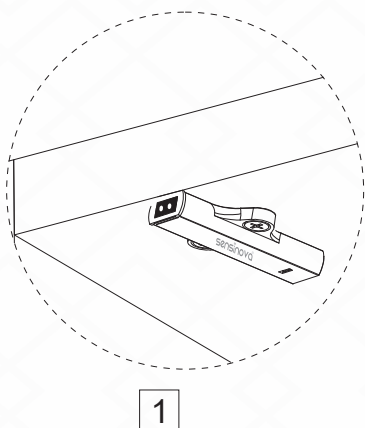
Stick the Silver Sticker in front of  
NEO Sensor for Maximum  
Efficiency



( Screw )

## INSTALLATION METHOD

- 1) Mark the sensor's position inside the wardrobe and mark screw holes.
- 2) Drill pilot holes at the marks.
- 3) Screw the sensor into place.



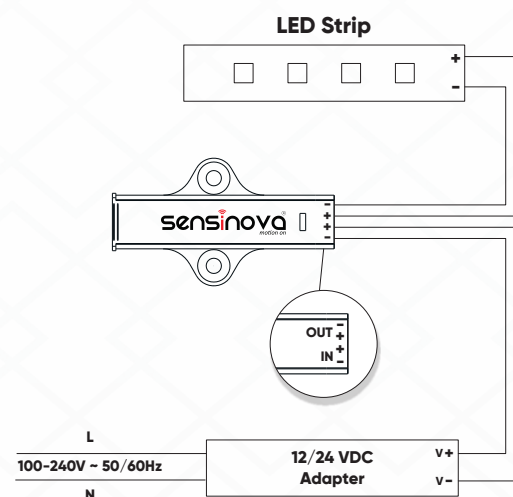
## CONNECTION INSTRUCTION

### 1. OUT

- a. Connect your LED +VE to OUT "+" marking wire
- b. Connect your LED -VE to OUT "-" marking wire

### 2. IN

- a. Connect your SMPS/Adapter +VE to IN "+" marking wire
- b. Connect your SMPS/Adapter -VE to IN "-" marking wire



## FEATURES

1. Two Operating Modes - Use it as Door Sensor or Wave Switch.
2. Soft/smoothON and OFF
3. Auto OFF/Energy Saving in case of door open for 3Minutes Door Sense Mode
4. Dimming Option - for Wave Switch Mode
5. Memory Function - for Wave Switch Mode
6. Reverse Polarity Protection
7. Increased Sensing Length - for Door Sense Mode



## DETAIL INFORMATION OF FEATURES

### 1. Two operating Modes:-

There are two operating modes which are Door sense mode and Wave switch mode. Door sense mode is used for wardrobes and wave switch mode is used for general switching purpose. Pls check separate section for process to switch the modes.

### 2. Soft ON/OFF:-

There is Soft/smooth LED ON/OFF in both the modes which is visually appealing and more comfortable for the eyes which creates soothing atmosphere which is more preferred in ambient lighting, mood lighting and interior lighting.

### 3. Auto OFF/Energy Saving:-

In case of door sense mode, this feature saves the energy by automatically switching off the light after 3 minutes in case someone forgets to close the door. Light can be again turned on by closing the door once and opening it again.

### 4. Dimming Option – For Wave Switch Mode:-

This feature will allow user to adjust the brightness of light from 0% - 100%. This feature is mainly incorporated to create different moods and to save energy.

### 5. Memory Function – For Wave Switch Mode:-

This model features built-in memory, allowing it to resume operation from its previous state in the event of a power outage. For example, if the model is in wave Switch mode and set to half brightness when the power is restored, it will resume at the same half brightness level. In other case if product is in Door Sense mode, it would be in the same mode once the power is restored.

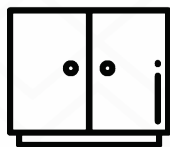
### 6. Reverse Polarity Protection:-

This feature would protect the product and load against accidental wrong connection.

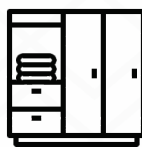
### 7. Increased Sensing Length – For Door Sense Mode:-

This model has best in class sensing length of 12-17cm in Door Sense Mode. This gives the user more flexibility in installation

## APPLICATIONS



Cabinet



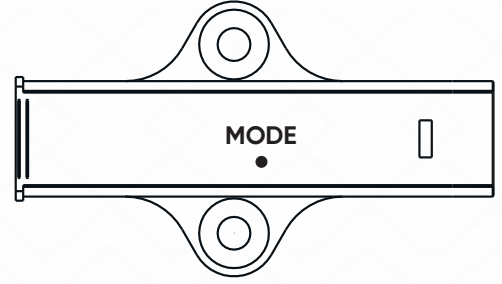
Wardrobe



Kitchen

## HOW TO CHANGE THE MODEL

Press and hold the mode switch (marked as 'MODE') for 5 seconds.  
The LED light you connected will blink twice to indicate that the mode has changed.



## HOW TO CHANGE DIMMING LEVEL - FOR WAVE SWITCH MODE

In wave switch mode, user need to keep the hand in front of sensor to vary the brightness from highest (100%) to lowest (10%) and off/reset (0%). Brightness can be set to full (100%) again by waving the hand after the brightness has been adjusted to 0% (off)